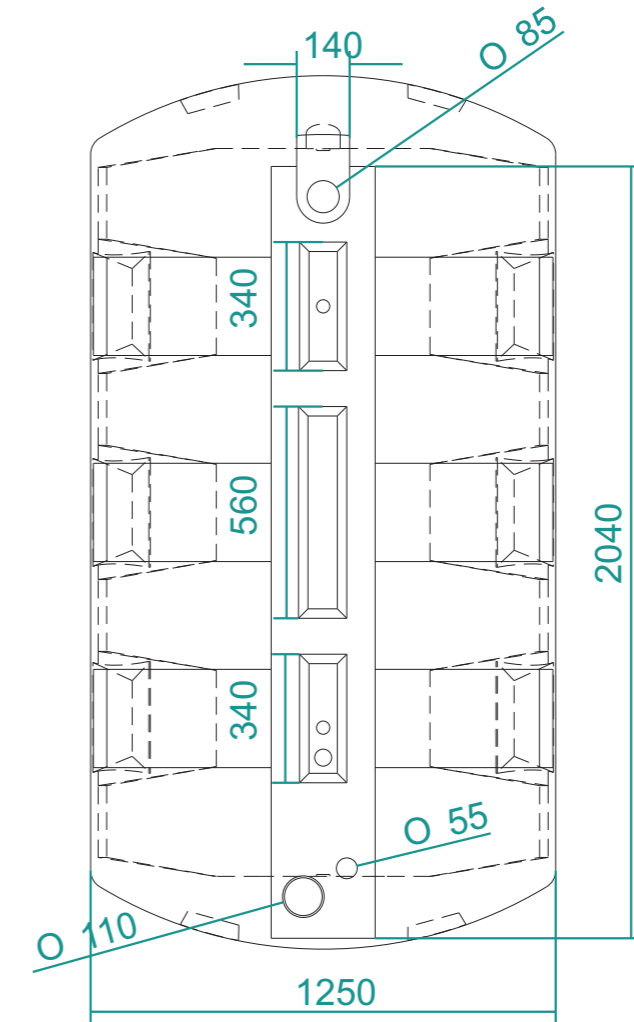
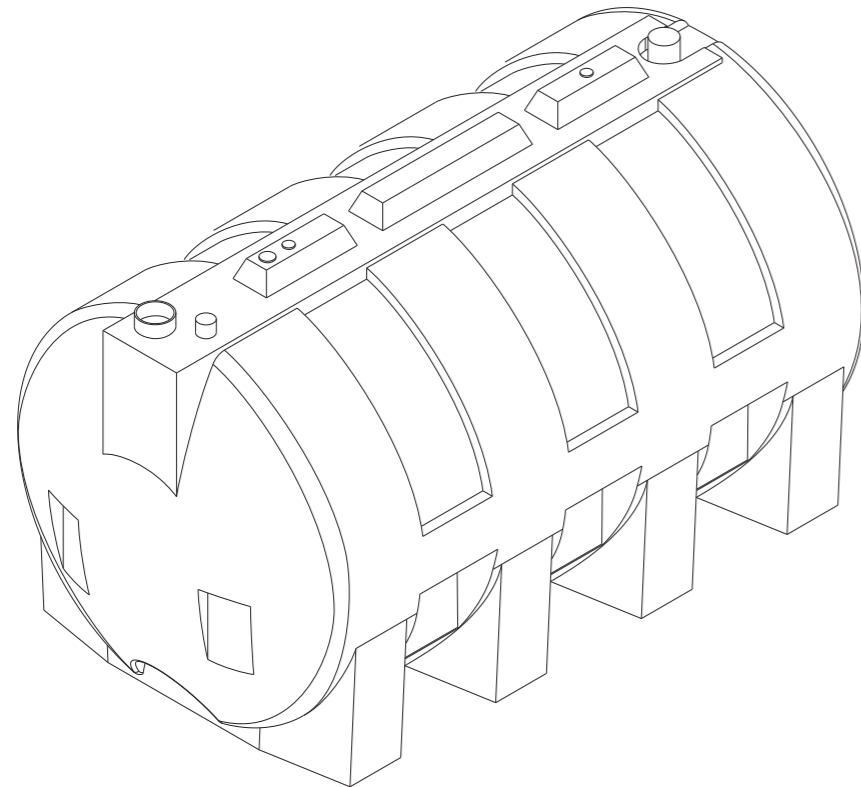
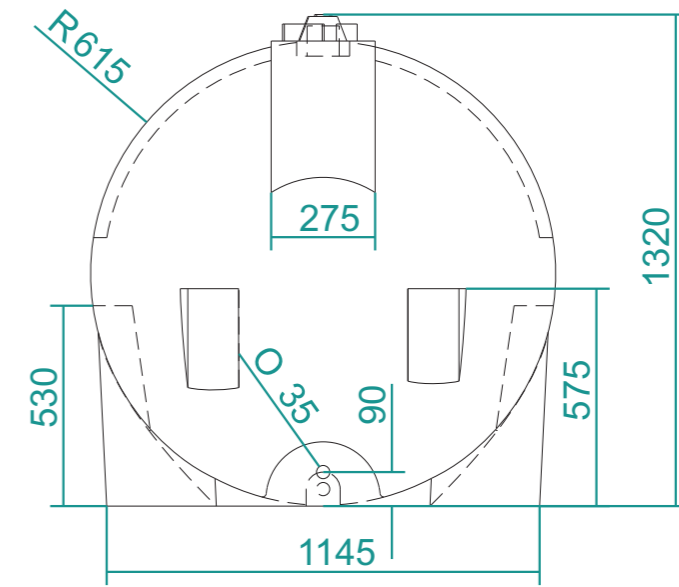
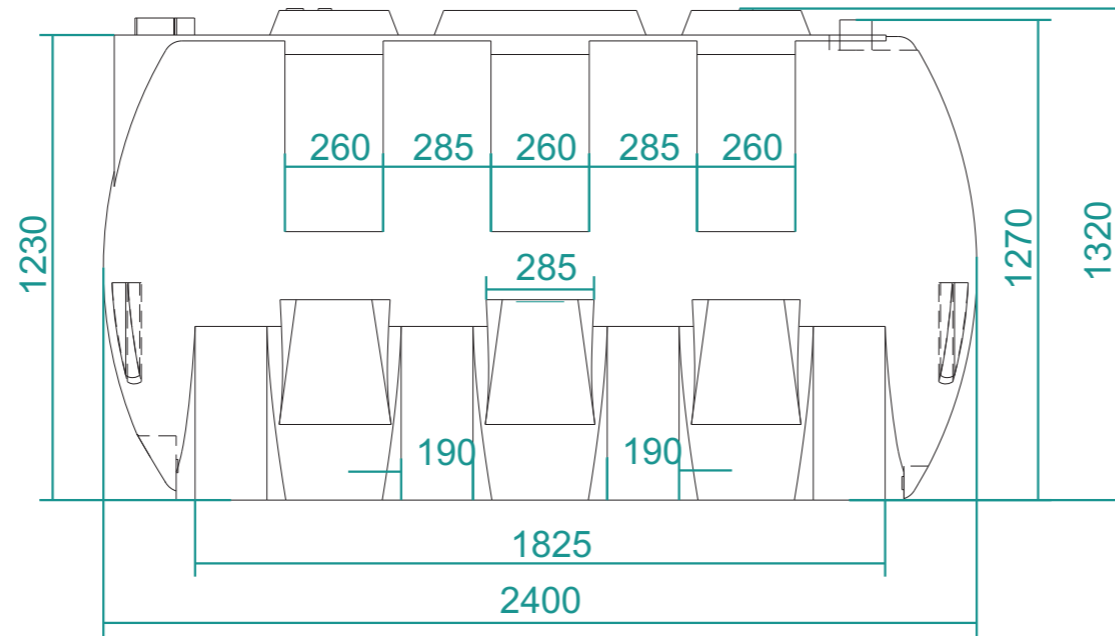


# H2500T



|   |            |                                    |                    |  |
|---|------------|------------------------------------|--------------------|--|
| H2500T  | No. 1 of 1 | 3rd Angle Orthographic             | scale: <b>1:20</b> | Design by Inky Design<br>www.inky-design.co.uk |
| <b>DESO</b><br><b>ENGINEERING</b><br>Telephone - 01984 632026 |            | drawn by: Jonathan Taphouse (BEng) |                    |  |
|   |            | date: 29 - 04 - 2011               | ISO                |  |